

**ANVIL**

# MIXER ELECTRIC

**GOLD SERIES - DIRECT DRIVE GEAR TRANSMISSION - 30 QUART**

## MIXER ELECTRIC 30 QUART



*"Anvil's 30 Quart Mixers are designed specifically for heavy duty mixing applications. The grease packed ball bearing and air cooled motor ensure quiet and efficient continuous operation."*

#### APPLICATION

- IDEAL FOR CONVENIENCE STORES, BAKERIES AND SUPERMARKETS
- COMES STANDARD WITH MIXING BOWL, WIRE WHISK, DOUGH HOOK AND SPATULA. THESE ITEMS ARE ALSO AVAILABLE SEPERATELY
- CONSISTANT MIXING SPEEDS ARE MAINTAINED REGARDLESS OF THE VOLUME IN THE BOWL DUE TO THE DIRECT DRIVE TRANSMISSION SYSTEM

#### CONSTRUCTION

- HEAVY DUTY CONSTRUCTION
- POWERFUL 1HP AIR COOLED MOTOR
- 3 FIXED SPEEDS WITH EASY SPEED SHIFTING
- DIRECT DRIVE 100% GEAR DRIVEN TRANSMISSION
- LONG-LIFE GEAR BOX
- #12 HUB FOR A MEAT GRINDING ATTACHMENT OFFERS FLEXIBILITY BETWEEN GRINDING AND MIXING
- GREASE PACKED BALL BEARING
- COMES STANDARD 110V SINGLE PHASE
- GEARS AND SHAFTS MADE OF HEAT TREATED ALLOY STEEL

Anvil reserves the right, without notice, to make changes and revisions to product specifications, materials and design, which in our opinion, will provide better performance, durability and efficiency.

QUALITY  GUARANTEE

ALL ANVIL EQUIPMENT COMES WITH A ONE YEAR WARRANTY ON COMPONENTS AND DEFECTIVE WORKMANSHIP



# ANVIL

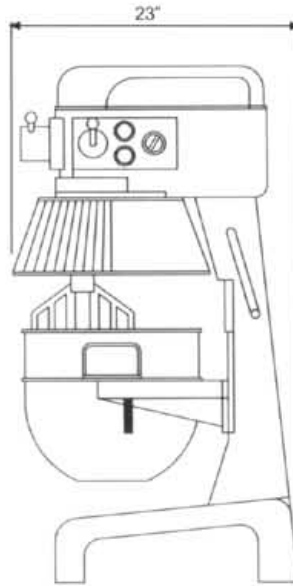
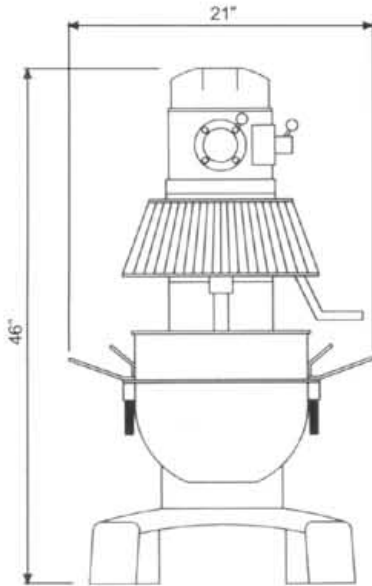


**NOTE:**

When viewing the appliance from the front in its usual operating position, the width (W) of the product is the total distance from left to right ; the depth (D) of the product is the total distance from front to back ; the height (H) is the total distance from the bottom of the product to the top

## MIXER ELECTRIC 30 QUART

MODELS:  
MIX7130



MIXING BOWL  
XMIX3011



WIRE WHISK  
XMIX3012



DOUGH HOOK  
XMIX3013



SPATULA  
XMIX3014



NEMA 5015P  
110V

DESCRIPTION	MIXER 30Q WITH GUARD	ACCESSORIES • CODE	ACCESSORIES • DESCR.
MODELS	MIX7130	XMIX3011	MIXING BOWL
POWER (HP)	1	XMIX3012	WIRE WHISK
VOLTAGE (V)	110V	XMIX3013	DOUGH HOOK
DIMENSIONS (in) (W x D x H)	21 x 23 x 46	XMIX3014	SPATULA
BOX DIMNS (in) (W x D x H)	24 x 27 x 51	MIX2016	MEAT GRINDER HEAD NO.12
SHIPPING WEIGHT (lbs)	405	MIX2015	GRATER HEAD NO. 12
PLANETARY SPEED	95/190/350 rpm		

Note: Output performance figures quoted are dependant on various factors.

Manufactured by:  
Scientific Engineering (Pty) Ltd  
South Africa  
Website: [www.anvilworld.com](http://www.anvilworld.com)



AUX\_ANVIL\_USA\_03