



2 & 4 SLICE POP-UP TOASTERS

Models ST02, ST04 & ST04H

Pop-Up Toasters 2 & 4 Slice Standard

Features/Benefits:

- ★ Star's Pop Up toasters will toast your bagels, breads, buns or any menu item to perfection.
- ★ Available in 2 & 4 slice design to accommodate any volume foodservice operation.
- ★ Ribbon style elements provide fast and consistent toasting.
- ★ Unique bun/toast switch to allow the operator to toast one or both sides of product.
- ★ Extra wide slots for toasting bagels or Texas toast.
- ★ Electronic timer for consistent and quality toasting every cycle.
- ★ Toasters are standard with 120 volt, and 15 amp plug and can operate almost anywhere.
- ★ Production ranges from 150 slices per hour for two slice toasters and 250 slices per hour for four slice toasters.
- ★ Slot openings are 1-1/4" wide and 5-1/4" long.



Model ST02

Applications:

From cafes and lunch counters to high volume restaurants, Star has a toaster to match the demands of any operation. Ideal for self serve operations, convenience stores, fast food chains or any place you want to enhance your menu.

Quality Construction:

Star's 2 and 4 slice toasters feature stainless steel body, ribbon style elements and crumb tray. Dual thermostats and adjustable color control for each bank of two slot openings. Toasters come complete with 3 foot lead in cord and molded plug.



Model ST04

Warranty:

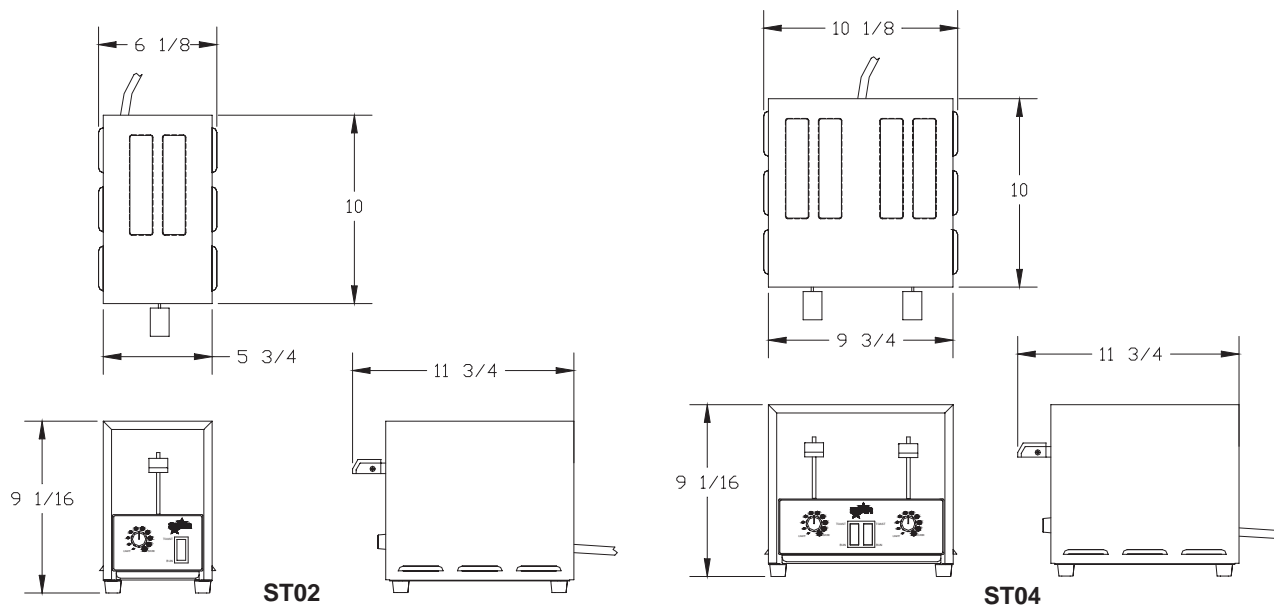
Toasters are covered by Star's one year parts and labor warranty.





2 & 4 SLICE POP-UP TOASTERS

Models ST02, ST04 & ST04H



Model Specifications

Model No.	Description	Dimensions			Voltage	Wattage	Amps	Approximate Weight	
		Width Inches (cm)	Depth Inches (cm)	Height Inches (cm)				Shipping lbs. (kg)	Installed lbs. (kg)
ST02	Two Slot Pop-Up Toaster	6 (15.2)	10 (25.4)	9 (22.9)	120V	900	7.5	12 (5.4)	9 (4.1)
ST04	Four Slot Pop-Up Toaster	10-1/8 (25.7)	10 (25.4)	9-1/16 (23.0)	120V	1,800	15	17 (7.7)	13 (5.9)
ST04H	Four Slot Pop-Up Toaster, High Performance	10-1/8 (25.7)	10 (25.4)	9-1/16 (23.0)	208V(or) 240V	2,400 2,400	11.5 10	17 (7.7)	13 (5.9)

Typical Specifications

Toasters have a highly polished stainless steel body with 2 or 4 slot openings from 1-3/16" wide and 5-1/4" long. A large removable crumb tray is standard. Toasters have dual thermostats and an adjustable color control for each bank of 2 slot openings. Elements are unique ribbon element design. Toasters are 15 amps. Toasters have a lighted switch for buns or toast. Toasters have the option to toast on one side for buns or two sides for toast. Toasters come complete with a 3 foot lead in cord with molded plug (NEMA #5-15P, 120V, and 6-15P, 240V). Toasters are listed by UL, CUL and UL-Sanitation to NSF Standard #4. U.S. patented No, 6,205,910. Printed in the U.S.A.