

Date:

Project:

Quantity:

Item Number:

**HSSW-CHILI #80580**

CE Units Available

**Warranty**

Server Products equipment is backed by a two-year limited warranty against defects in materials and workmanship. For a copy of our complete warranty statement, see our Website or contact us.

**Bid Description**

Hot Sauce Servers are constructed of stainless steel with a brushed finish. Each dispense directly from a 3-quart (2.8 L) stainless steel jar. Pump features a rugged cast valve body and welded construction. Maximum stroke yields 1-ounce (30 mL). Gauging collars are supplied to reduce the yield in 1/4-ounce (7 mL) increments.

An adjustable precalibrated thermostat controls the heating element. Units have 515 watts. Temperature settings—marked on thermostat knob—range from 100° F (38° C) to 200° F (93° C). Power is controlled with a lighted ON/OFF rocker switch.

HSSW-CHILI has pump with spout warmer opposite the instrument panel. Unit includes a magnetic sign for merchandising. HSSW is without magnetic sign.

HSSWI-CHILI has pump with spout warmer on the instrument panel side. Unit includes a magnetic sign for merchandising. HSSWI is without magnetic sign.

**Standard Features**

- Pump design prevents loss of valve balls
- Maximum pump stroke yields 1-ounce (30 mL)
- Adjustable portion control in 1/4-ounce (7 mL) increments
- Water fill line eliminates overflow accidents
- Adjustable precalibrated thermostat for accurate heat control
- Temperature marks on knob with protective knob guard
- Magnetic sign for versatile merchandising
- Two cleaning brushes included for pump maintenance

**Hot Sauce Server Accessories**

- 3-quart (2.8 L) Stainless Steel Jar #94009
- Cylinder-side Cleaning Brush #82049
- Spout-side Cleaning Brush #82526

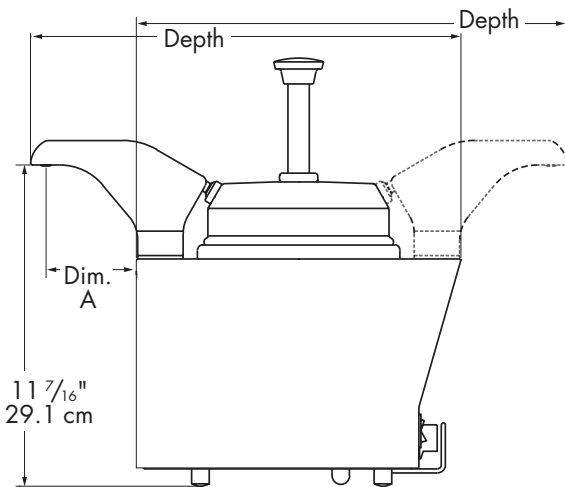
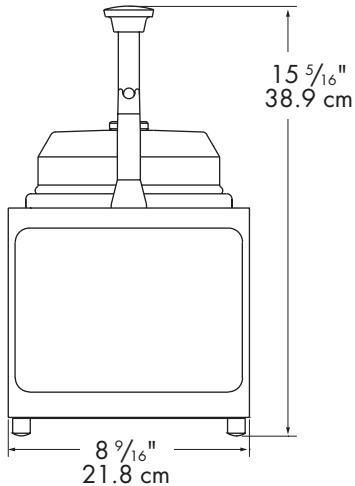
Specifications on reverse side

# SERVER

## Food Servers Hot Sauce Servers

Models HSSW-CHILI  
HSSWI-CHILI

### Hot Sauce Servers



### Specifications

<b>Model</b>	<b>HSSW-CHILI #80580</b>			
Construction	Stainless steel unit. Pump features a rugged cast valve body and welded construction. Pump with spout warmer is opposite instrument panel side. Includes magnetic Chili sign.			
Capacity	Stainless steel jar holds 3-quarts (2.8 L).			
Dimensions	<u>Height</u>	<u>Width</u>	<u>Depth</u>	<u>Dim A</u>
	in	8 <sup>9</sup> / <sub>16</sub> "	15 <sup>5</sup> / <sub>16</sub> "	3 <sup>1</sup> / <sub>4</sub> "
	cm	21.8	38.9	8.3
Electrical	120V, 60Hz, 515W, 4.3A 72 in (183 cm) cord set NEMA 5-15P, 15A, 125V PLUG			
Ship Weight	13 lb (5.9 kg)			
Option	Hot Sauce Server HSSW #80580. Same as HSSW-CHILI described above, except without magnetic sign.			
<b>Model</b>	<b>HSSWI-CHILI #86600</b>			
	Same as HSSW-CHILI above except:			
Construction	Unit has pump with spout warmer on the instrument panel side.			
Option	Hot Sauce Server HSSWI #86600. Same as HSSWI-CHILI described above, except without magnetic sign.			

FOB Richfield, Wisconsin 53076

### CAD Library

We are a member of The KCL CADalog with more than 100 other manufacturers. Our CAD files can be purchased through Kochman Consultants, Ltd. at 847-470-1195, or e-mail sales@kclcad.com. Their Website is at www.kclcad.com.



Server Products, Inc. • P.O. Box 98 • Richfield, WI 53076 • Toll Free: 800-558-8722  
Phone: 262-628-5600 • Fax: 262-628-5110 • pumps@execpc.com • www.server-products.com

Server Products, Inc. reserves the right to modify specifications without obligation. Printed in U.S.A.

7-2002/8M Stock #02010