



 **ANVIL**

# COUNTERTOP WARMER

**ELECTRIC**

## COUNTERTOP W A R M E R

*"The Anvil countertop warmer is tough robust and presentable. This 22Qts stainless steel warmer is perfect for a wide variety of food. Simply plug in and start serving."*

### APPLICATION

- IDEAL FOR BUFFETS, CARVERIES, OUTSIDE CATERING, RESTAURANTS, CONFERENCE VENUES, HOSPITALS ETC.
- COMPLETELY PORTABLE AND EASY TO TRANSPORT
- UTILIZE WARMER FOR WET AND DRY APPLICATIONS

### CONSTRUCTION

- EXTERIOR CONSTRUCTED WITH HEAVY DUTY STAINLESS STEEL FOR EXCELLENT DURABILITY
- INTERIOR LINER FORMED OF TOUGH STAINLESS STEEL
- STEEL "ELEMENT SUPPORT" STABILIZES HEATING ELEMENTS AND REFLECTS HEAT TOWARDS FOOD
- ALL STAINLESS STEEL PAN AND HOUSING
- FITS 1 FULL INSET, OR 2 HALF INSERTS OR 3 THIRD INSERTS

### HEATING

- UNIQUE "SERPENTINE SHAPED" HEATING ELEMENTS EVENLY DISTRIBUTE HEAT THROUGHOUT THE UNIT
- INSULATION TO PROTECT INTERIOR PARTS AND COUNTERTOPS FROM HEAT BUILD UP



Anvil reserves the right, without notice, to make changes and revisions to product specifications, materials and design, which in our opinion, will provide better performance, durability and efficiency.

QUALITY  GUARANTEE

ALL ANVIL EQUIPMENT COMES WITH A ONE YEAR WARRANTY ON COMPONENTS AND DEFECTIVE WORKMANSHIP



# ANVIL

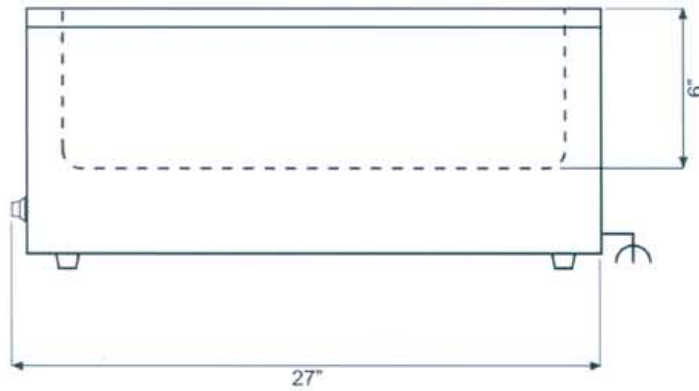
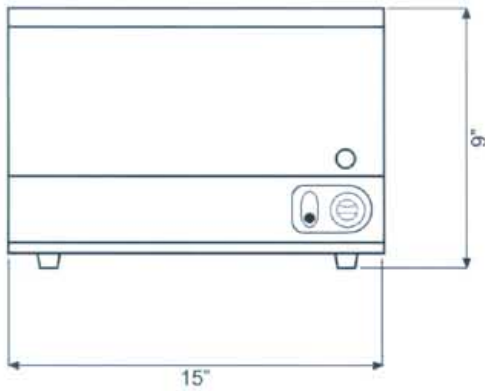


**NOTE:**

When viewing the appliance from the front in its usual operating position, the width (W) of the product is the total distance from left to right ; the depth (D) of the product is the total distance from front to back ; the height (H) is the total distance from the bottom of the product to the top

## COUNTERTOP WARMER

MODELS:  
FWW7001



DESCRIPTION	COUNTERTOP WARMER
MODELS	FWW7001
VOLTAGE (V)	110
POWER (kW)	1.2
DIMENSIONS (in) (W x D x H)	15 x 27 x 9
BOX DIMNS (in) (W x D x H)	16 x 28 x 10
PACKED WEIGHT (lbs)	22
COMPLIES WITH SPEC	UL197



Note: Output performance figures quoted are dependant on various factors.

Manufactured by:  
Scientific Engineering (Pty) Ltd  
South Africa  
Website: [www.anvilworld.com](http://www.anvilworld.com)



FWW\_ANVIL\_USA\_01