



PROJECT	
ITEM #	
QUANTITY	DATE
APPROVAL	

**7000**

**Show 'N' Sell self-contained refrigerated display cases**

**Short form specifications**

Exterior top and ends shall be finished with 22-gauge stainless steel. Exterior front shall be finished with stainless steel and plastic laminate trim. Interior ends shall be ABS plastic. Interior bottom shall be 22-gauge stainless steel. Cabinet shall be insulated with foamed-in-place polyurethane.

Interior shall have (2) 15" (38.1 cm) deep removable epoxy-coated wire shelves. Cabinet shall have (2) 36" (91.4 cm) long fluorescent light fixtures.

Refrigeration system shall use HFC-404A refrigerant, and maintain 36°F (2°C) to 40°F (4°C) interior cabinet temperature at 100°F (38°C) ambient room temperature.

Electrical connections shall be 115 volt, 60 Hertz, single phase. Unit shall be wired with a 3-wire, grounded, maximum 8' (2.4 m) cord and plug.

**The following applies to 7000-M (single service mirror-back) models only:**

(2) 0.5" (1.3 cm) thick, bottom-mounted thermopane glass doors shall be provided in the front of the equipment. Doors shall be sliding, self-closing and removable for cleaning. Exterior back shall be 22-gauge aluminum. Interior back of cabinet shall have a 0.25" (0.6 cm) thick mirror mounted vertically.

**The following applies to 7000-S (single service see-through) models only:**

(2) 0.5" (1.3 cm) thick, bottom-mounted thermopane glass doors shall be provided in the front of the equipemnt. Doors shall be sliding, self-closing and removable for cleaning. Exterior back to be finished with stainless steel and plastic laminate trim. Interior back of cabinet shall have a 0.5" (1.3 cm) thick thermopane glass panel.

**The following applies to 7000-P (double service pass-through) models only:**

(4) 0.5" (1.3 cm) thick, bottom-mounted thermopane glass doors shall be provided, (2) each in the front and back of the equipment. Doors shall be sliding, self-closing and removable for cleaning.

**Optional accessories & modifications**

\*220 volt, 50 Hertz electrical system

Wall-mounting kit

Sliding door lock

(4) 6" (15.2 cm) high stainless steel legs

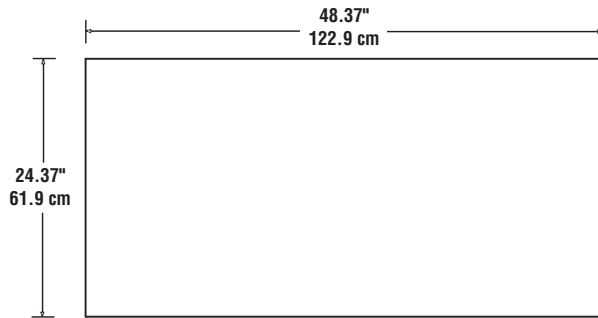
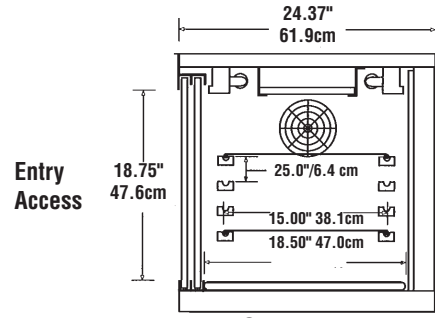
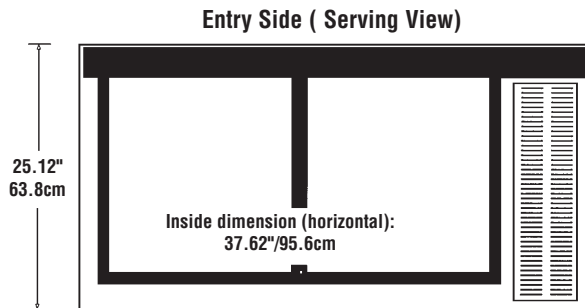
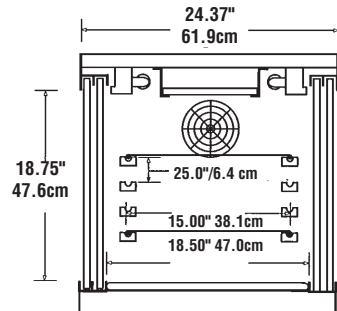
Extra epoxy-coated wire shelf

\*Inclusion of this option will alter the electrical specifications of the unit.

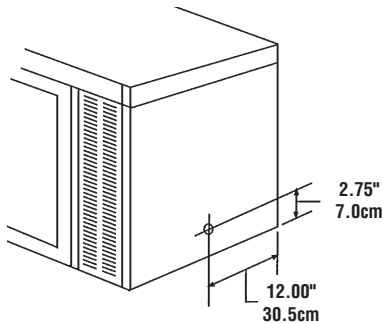


**Model 7048-M**




**PLAN VIEW ALL 7000 MODELS**

**RIGHT END VIEW  
7000-M and 7000-S MODELS**

**ELEVATION VIEW ALL 7000 MODELS**

**RIGHT END VIEW  
7000-P MODELS**

Height shown is without optional legs. Add 6" (15.2 cm) if equipped with legs.


**EXIT LOCATION FOR CORD  
ALL 7000 MODELS**
**INSTALLATION NOTES:**

Equipment must be installed in a level area away from any source of intense heat, including ranges and ovens. Proper air flow must be provided to the machine compartment. Do not install this equipment in a location which closes off both the side and rear ventilation of the machine compartment. Either the side or front ventilation must be left open with a minimum clearance of 6" (15.2 cm).

MODEL NUMBER	DESCRIPTION	SHELVES	CAPACITY	SHIP WEIGHT	HORSE-POWER	VOLTS/ HERTZ/ PHASE	AMPS	NEMA PLUG
<b>7048-M</b>	Single service, mirror back	12.5 ft <sup>2</sup> 1.16 m <sup>2</sup>	7.8 ft <sup>3</sup> 0.22 m <sup>3</sup>	284 lbs 129 kg	1/4	115/60/1	9.0	5-15P
<b>7048-P</b>	Double service, pass through	12.5 ft <sup>2</sup> 1.16 m <sup>2</sup>	7.8 ft <sup>3</sup> 0.22 m <sup>3</sup>	292 lbs 132 kg	1/4	115/60/1	9.0	5-15P
<b>7048-S</b>	Single service, glass back	12.5 ft <sup>2</sup> 1.16 m <sup>2</sup>	7.8 ft <sup>3</sup> 0.22 m <sup>3</sup>	282 lbs 128 kg	1/4	115/60/1	9.0	5-15P