

MODEL: FI-120W

Project _____
 Location _____
 Item # _____
 Qty _____



DOOR STYLE DISHWASHER

Clear ideas; brilliant results.

Standard Features

- High temperature sanitation to protect your ware from harmful chemicals during final rinse. Your ware will come out cleaner and dryer than conventional sanitation methods.
- Built-in electric booster heater that will raise the temperature 70°F to the NSF required temperature of 180°F for sanitation.
- Unique "Hot Water Assurance" feature which guarantees 180°F final rinse.
- Complete counter balanced hood system to allow full production flow during the usage of your dishwasher. (No Channels to work around)
- Two powerful 1 H.P. wash pumps motors move more water over your ware while only utilizing less than 1 gallon of water per rack.
- Chemical friendly with built-in dispensers for liquid detergents. Also pre defined electrical connectors and pre drilled tank for probes and injectors, makes it easy to install third party dispensing systems.
- Auto-fill will take the guess work of filling your machine to ensure the proper water levels in your unit at all times.
- Heavy duty stainless steel construction, Type 304 for a more durable and longer lasting machine.
- Field adjustable straight-thru or corner design to adapt to your ever changing needs in your kitchen.
- Removable front electrical panel for easy access to controls.
- Filter system above the water line to keep your tank water cleaner and free from large debris.
- Individual stainless steel anti-clogging wash and rinse arms on both the top and bottom wash systems ensures a better wash for your ware.
- Three time settings (55, 75 and 120 sec.) for different types of ware.
- (1) 20" x 20" Flat Rack and (1) 20" x 20" peg racks included.

Options and Accessories

- CT-10 All purpose rack
- CU-20 Cutlery grid
- CB-7 Tray Rack
- CP-16/18 Peg rack
- CV-16/105 Glassrack
- Cutlery Container
- Vent fan control
- Drain water tempering valve



PERFORMANCE / CAPACITIES

Capacities	
Racks per hour	60
Dishes per hour	1500
Glasses / cups per hour	2160
Wash Tank	11.8 gal. / 44.6 litre
Water Consumption / Requirements	
Gallons per hr. (Max. use)	48 gal. / 181 litre
Gallons per cycles	.8 gal. / 3.02 litre
Inlet temperature (Optimum)	140°F / 60°C
Flow rinse pressure	15 – 25 PSI
Wash Pump Motor	
Motor (hp)	2 x 1 hp
Temperatures	
Wash	150° F / 66° C
Rinse	190° F / 88° C

Heating	
Electric wash tank heater	4.5 kw
Electric booster heater	12 kw
Operating Cycles	
Wash time (seconds)	3 setting (35,55,100)
Dwell (seconds)	5
Rinse time (seconds)	15
Total Time (seconds)	3 setting (55,75,120)
Dimensions / Shipping	
Width	28 1/4" / 717 mm
Depth	32" / 813 mm
Height	62" / 1575 mm
Max. clearance for dishes / glasses	16 1/2" / 419 mm
Shipping weight	330lbs / 150 kg
Shipping volume (cu. ft.)	32

FAGOR



Fagor Commercial, Inc.

12800 N.W. 38th Avenue • Miami, Florida 33054-4525 (USA)
 PH.: (305) 779-0170 • FAX: (305) 779-0173
 Toll Free: 866-GO FAGOR (463-2467)

www.fagorcommercial.com



MODEL: FI-120W

DOOR STYLE DISHWASHER

SPECIFICATIONS

- **Construction:** The FI-120W is a fully automatic dishwasher completely constructed of high-quality stainless steel, type 304. Both upper and lower wash and rise arms are constructed of stainless steel to ensure a long life span. Extra wide stainless steel legs are adjustable up to 4" high. Field adjustable straight-thru or corner design
- **Door:** The hood is constructed of high grade stainless steel, counter-balanced with two springs for easy opening from the front and sides when in a corner application. No channel system to provide a better work flow for your unit.
- **Pump:** Our exclusive two pump system each connected to a single wash arm (top and bottom), ensure high pressure re-circulating wash throughout the tank. Also includes an adjustable liquid detergent and rinse pumps, pre drilled holes for probes and pre defined electrical connectors for third party solid soap dispensers.
- **Controls:** Controls are center mounted and accessible for service from the front. Three preset time settings (55, 75 & 120 seconds) for small, medium and heavy loads will optimize energy and time. Also includes a Delime (continuous wash) setting for manual operation.
- **Filling and heating system:** The power-on switch automatically fills the tanks to the proper level. Wash and booster tank are heated at the same time earning efficiency in the standby mode. Wash tank water temperature is maintained by a 4.5 kw element. **Built-in 12 kw electric booster heater.** Hi Limit thermostats and a pressure switch protect heating elements in case of low water or fail.
- **Hot Water Assurance:** The FI-120W guarantees that the minimum sanitizing temperature of 180°F during the final rinse is achieved regardless of the incoming water temperature. Machine will continue washing up to the rinsing temperature is reached. The rack capacity and cycle time will vary depending on incoming water temperature, voltage of dishmachine and water pressure.
- **Drainage:** Filter system with removable scrap basket, prevents waste from getting into the washing pumps.

SERVICE CONNECTIONS

W – Water inlet – 3/4" Female hose connector on 5' long flexible hose supplied with machine; Adaptor for 3/4" female garden hose fitting also supplied; 140°F / 60°C Optimum water temperature; 15-25 psi flow rinse pressure.

D – Drain – 4' long, 3/4" I.D. flexible hose; Maximum 10" drain height permitted; Indirect connection to drain pipe.

R – Electrical terminal block connection point – 208-240/60/1 or 3ph.

C – Electrical power supply - Use wire suitable for at least 194°F / 90°C.

M – Pressure gauge and regulating valve.

V – Vacuum breaker.

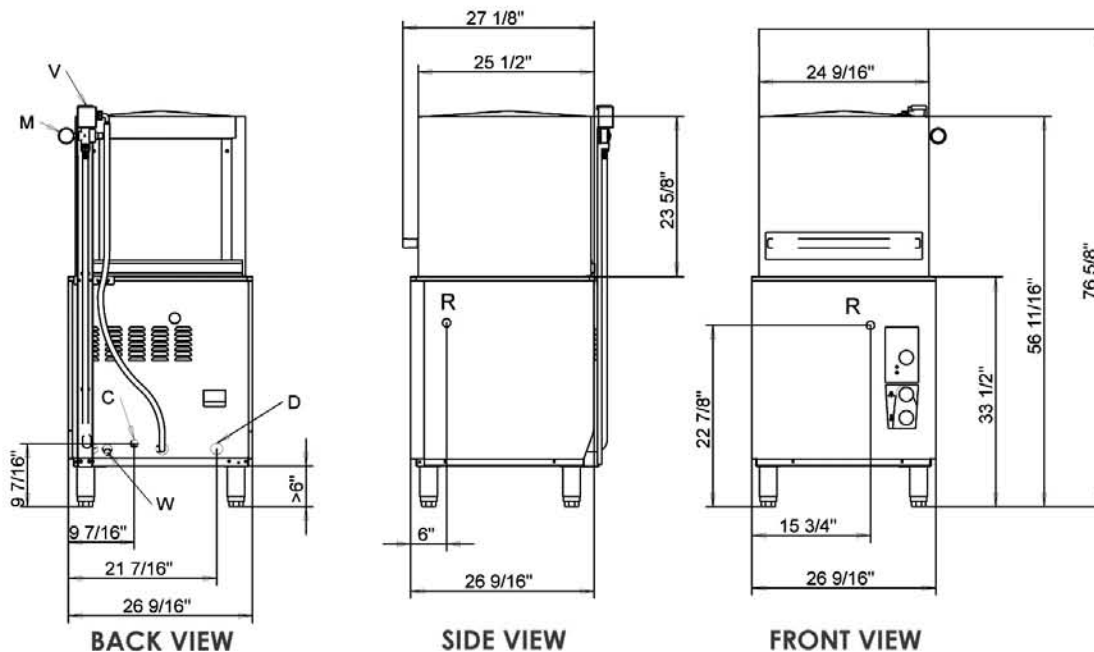
ELECTRICAL AND PRODUCTION LOADS

Volts/Hz/Ph	Amps	Volts/Hz/Ph	Amps
208/60/1	75	208/60/3	47
220/60/1	78	220/60/3	49
240/60/1	85	240/60/3	52

*50 Hz models, consult factory

Incoming Water Temp	140°F	110°F
Approx. racks per hour	60	60

*To decrease electrical consumption consult the factory. This will reduce the capacity of the machine



Caution - Before connecting water to this unit, have water supply analyzed to make sure hardness is not greater than 2.0 grains and pH level is within the range of 7.0-8.5. Water which fails to meet these standards, should be treated by the installation of a water conditioner. EQUIPMENT FAILURE CAUSE BY INADEQUATE WATER QUALITY IS NOT COVERED UNDER WARRANTY.

Warning - Installation should be made by qualified personnel who will observe all specified local codes.



Fagor Commercial, Inc.

12800 N.W. 38th Avenue • Miami, Florida 33054-4525 (USA)

PH.: (305) 779-0170 • FAX: (305) 779-0173

Toll Free: 866-GO FAGOR (463-2467)

www.fagorcommercial.com

The manufacturer reserves the rights to modify materials and specifications without notice.

Printed in the USA • 06/07